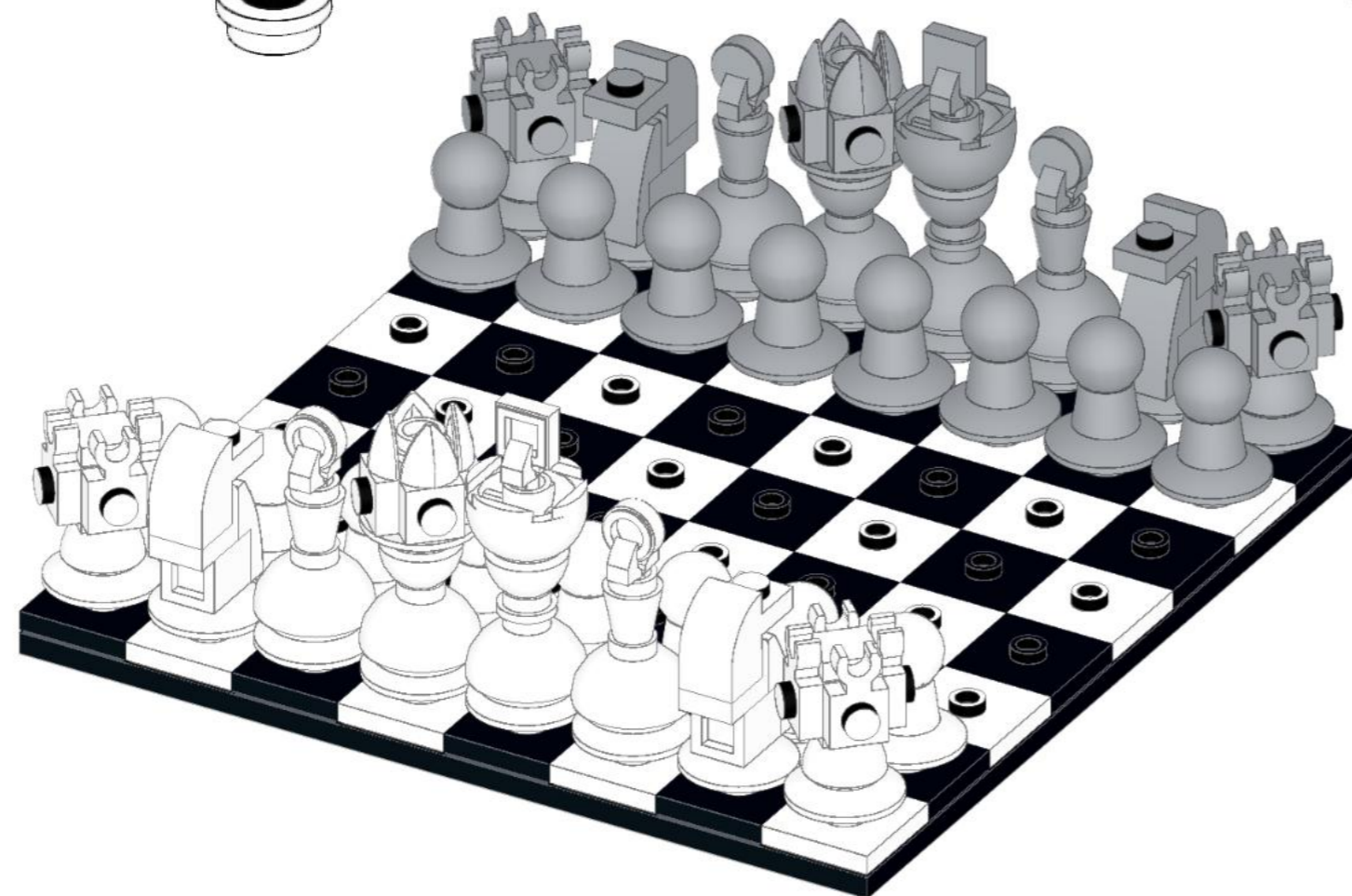
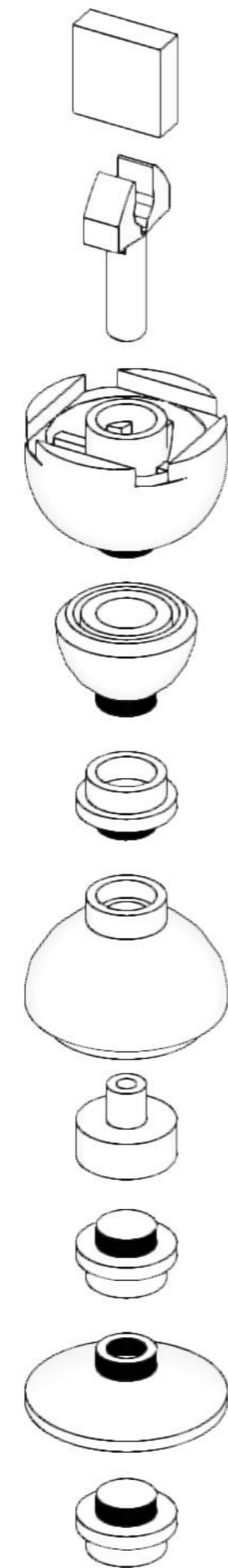
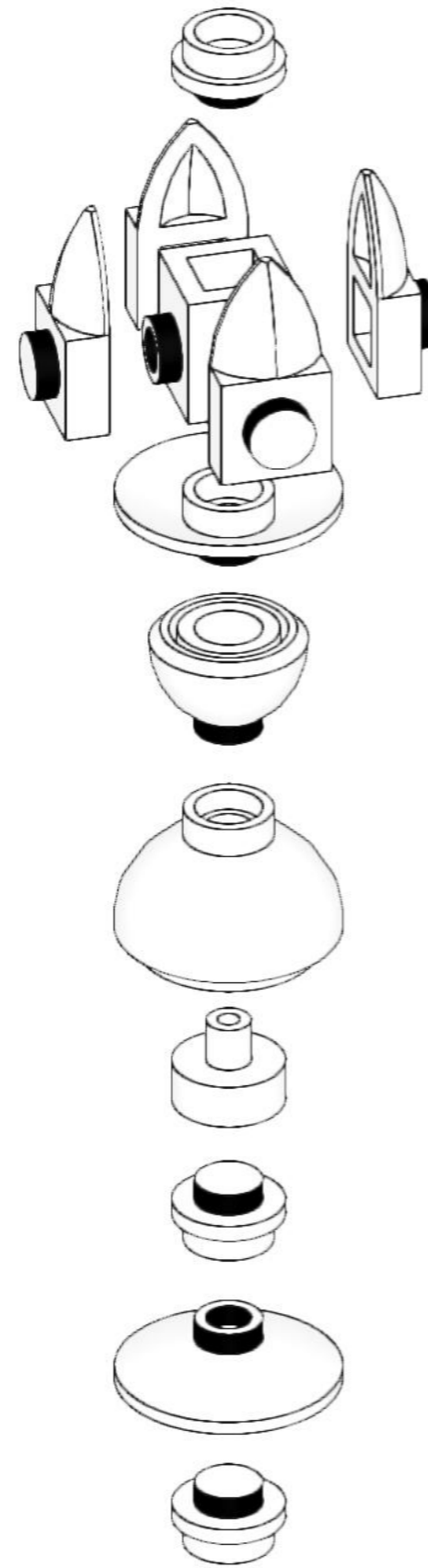
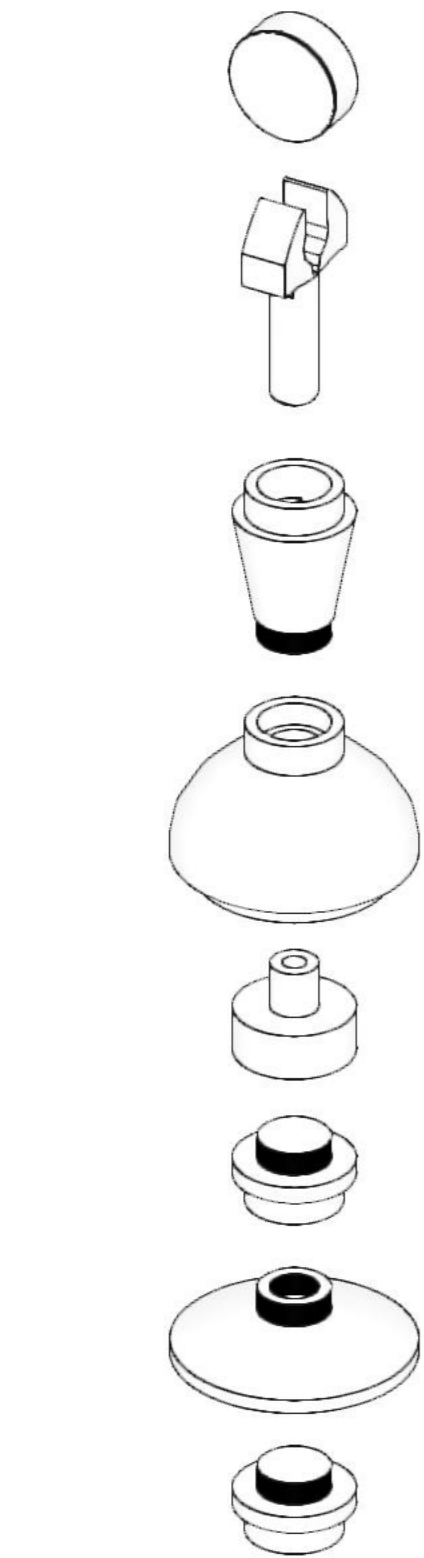
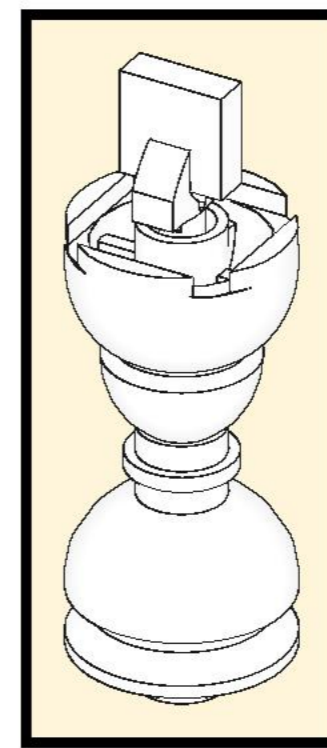
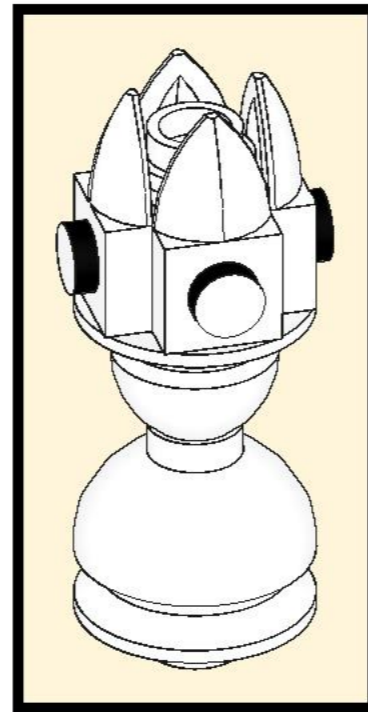
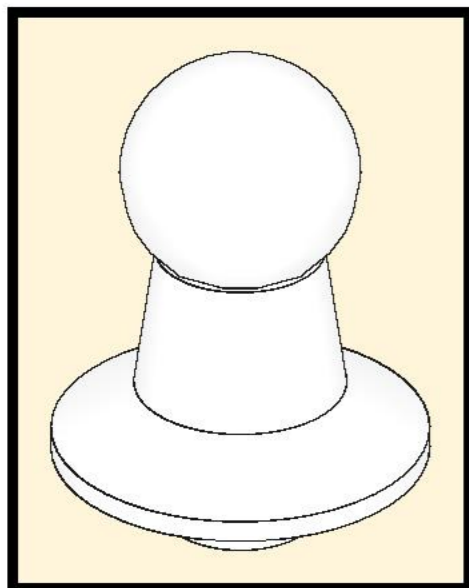
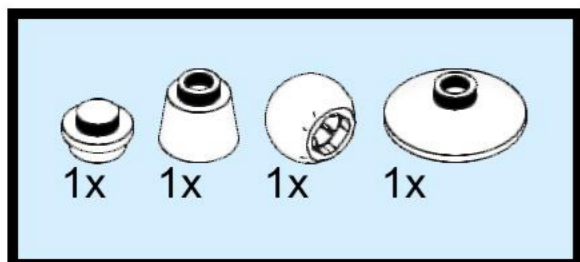


2x

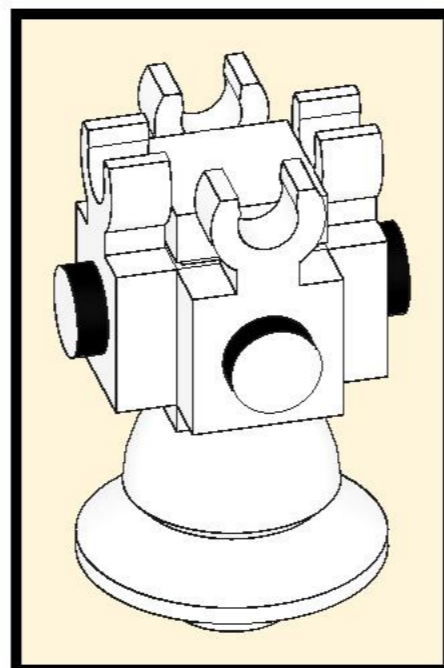
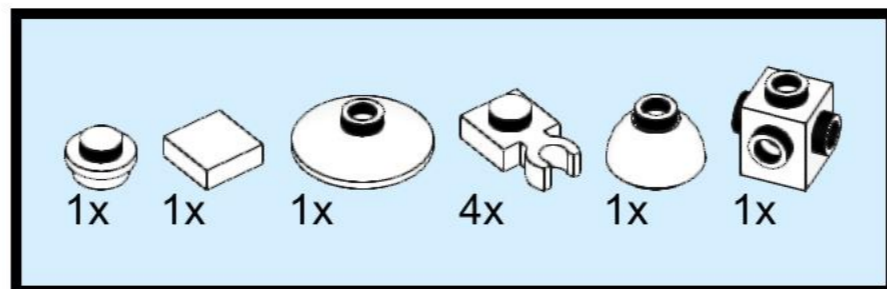
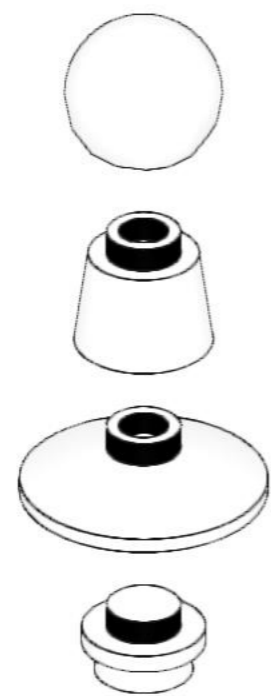


Setting the Board

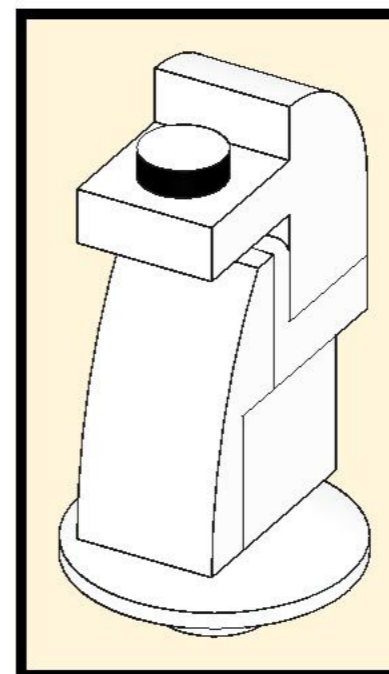
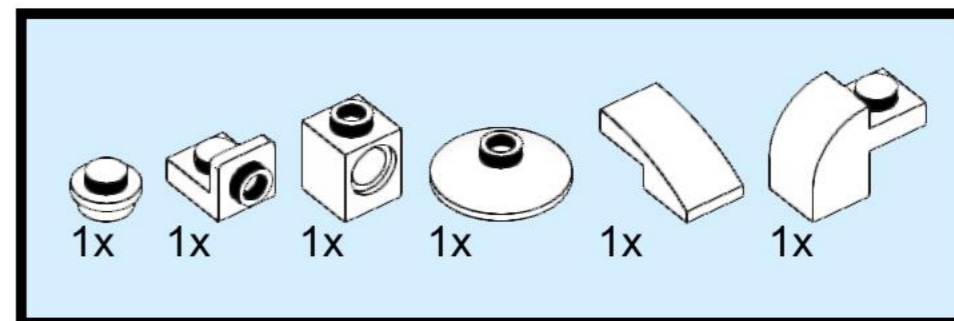
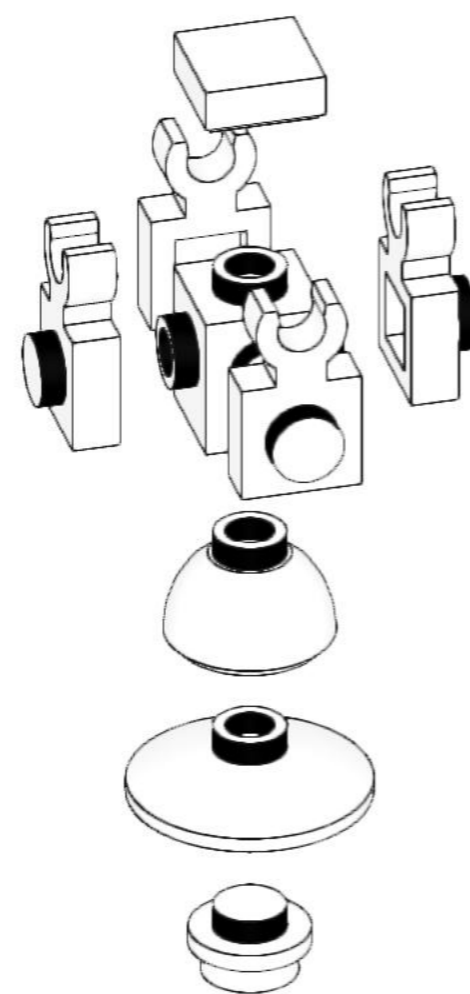
*Your left corner is black.
Queen starts on her own color.*



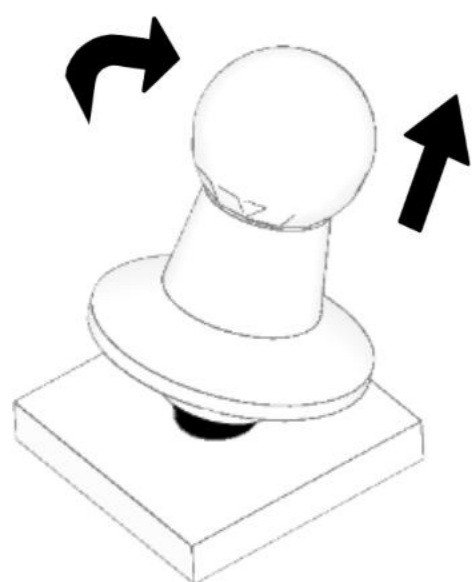
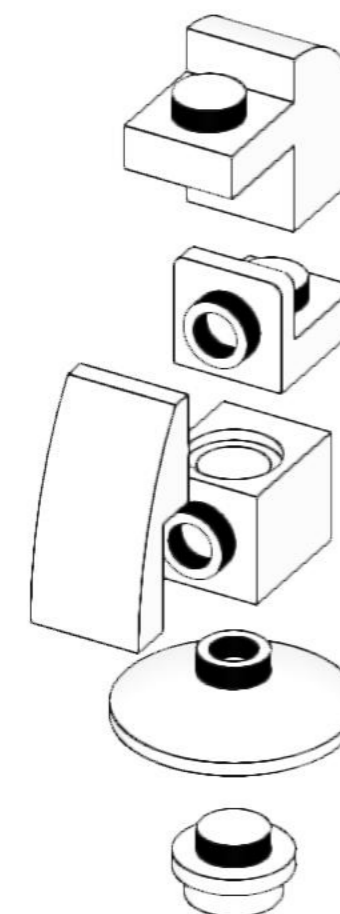
8x



2x

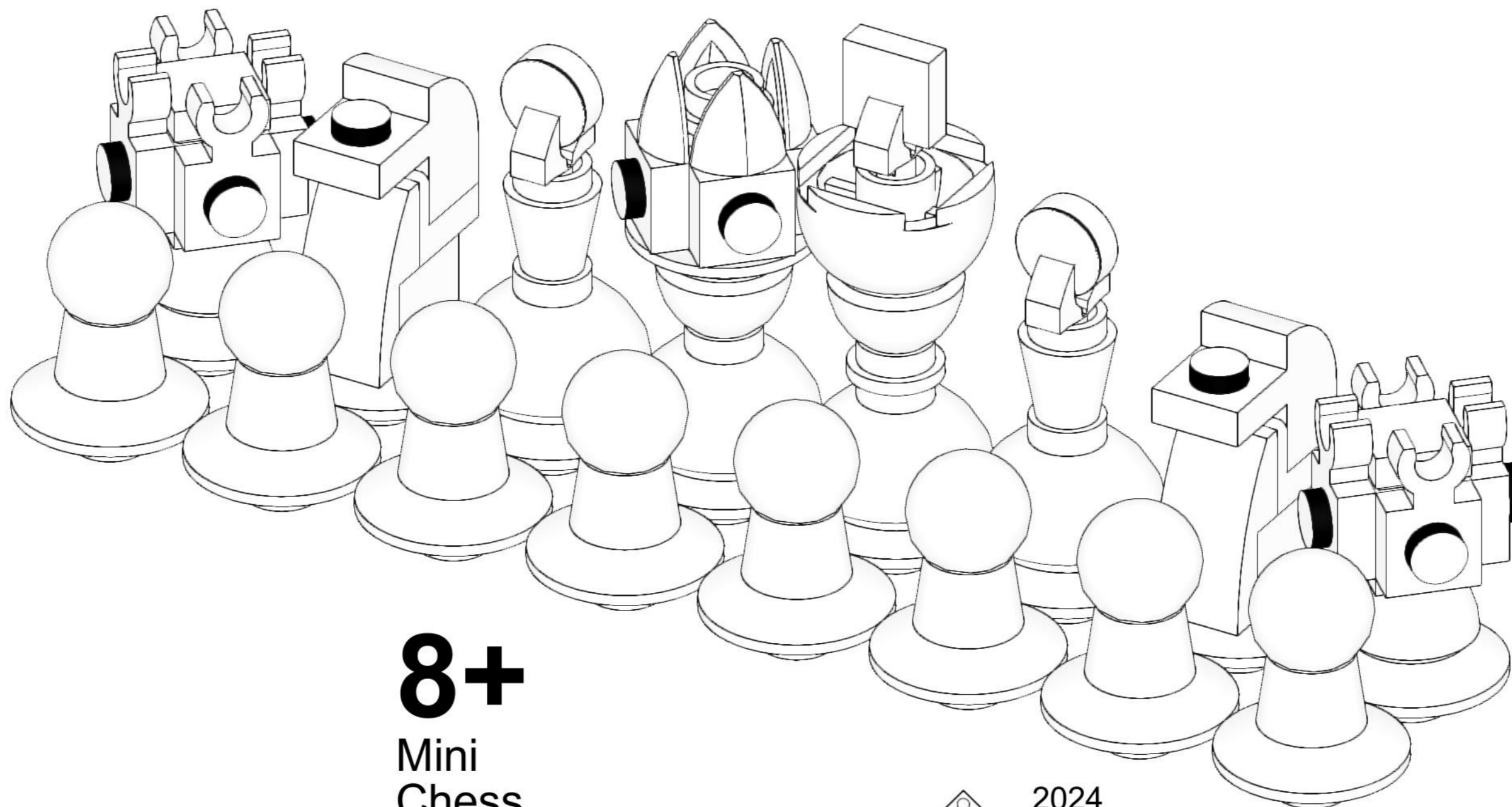


2x



LEGO Tilt

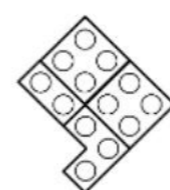
The best way to pick up a game piece is by tilting it before you lift.



8+

Mini
Chess

267 pcs



2024
BrickFair
Charity
Exclusive